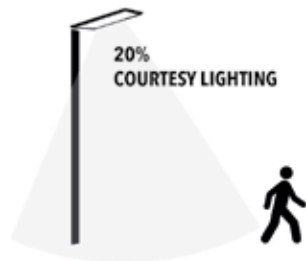
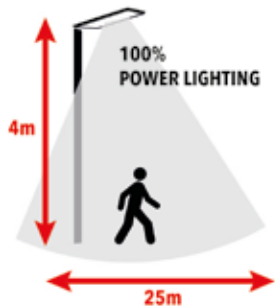
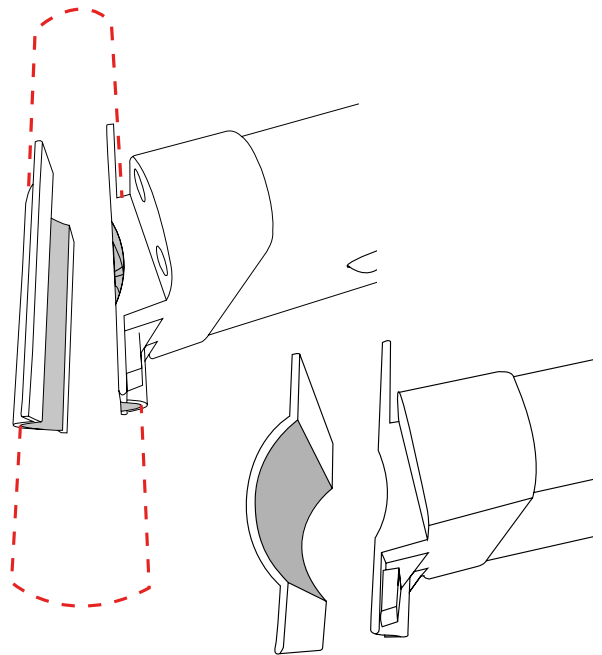


ECLIPSE

24W Solar Powered Area Light

Stock No. SAL24



	100% - 60% Battery Power	60% - 40% Battery Power	> 40% Battery Power
Full Light (PR) 1800 Lumens	YES - 30 secs exposure	YES - 30 secs exposure	YES - 30 secs exposure
Courtesy Light 360 Lumens	YES	YES	NO

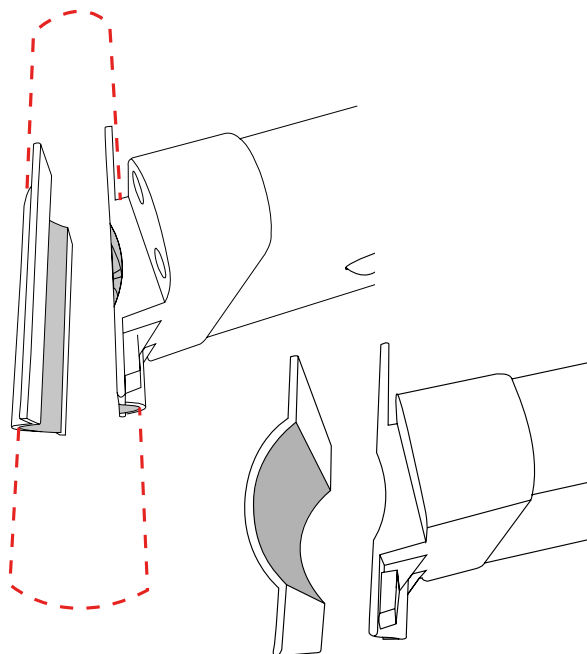
TECHNICAL DATA

LUMEN:	1800
MATERIAL:	Powder coated aluminium
RUNTIMES:	11hrs (8hr charge/singlepanel/NO triggers) 22hrs (8hr charge/singlepanel/NO triggers with Booster)
BATTERY POWER:	7.4V 4400mAh Solar Panel 32.5Wh Battery
CHARGE TIME:	9hrs
PIR SENSOR:	5m at 360°
WEATHERPROOF:	IPX5 rated weatherproof
PCB PROTECTION:	Charging, discharging and high temperature protection
WEIGHT:	2kg
SIZE:	42.5 x 21 x 4.5cm
WARRANTY:	2 Years

ECLIPSE

24W Solar Booster Panel

Stock No. XXXXXX



TECHNICAL DATA

MATERIAL:	Powder coated aluminium
RUNTIME:	22hrs (8hr charge)
BATTERY POWER:	7.4V 4400mAh Solar Panel 32.5Wh Battery
CHARGE TIME:	8hrs
WEATHERPROOF:	IPX5 rated weatherproof
PCB PROTECTION:	Charging, discharging and high temperature protection
WEIGHT:	2kg
SIZE:	42.5 x 21 x 4.5cm
WARRANTY:	2 Years